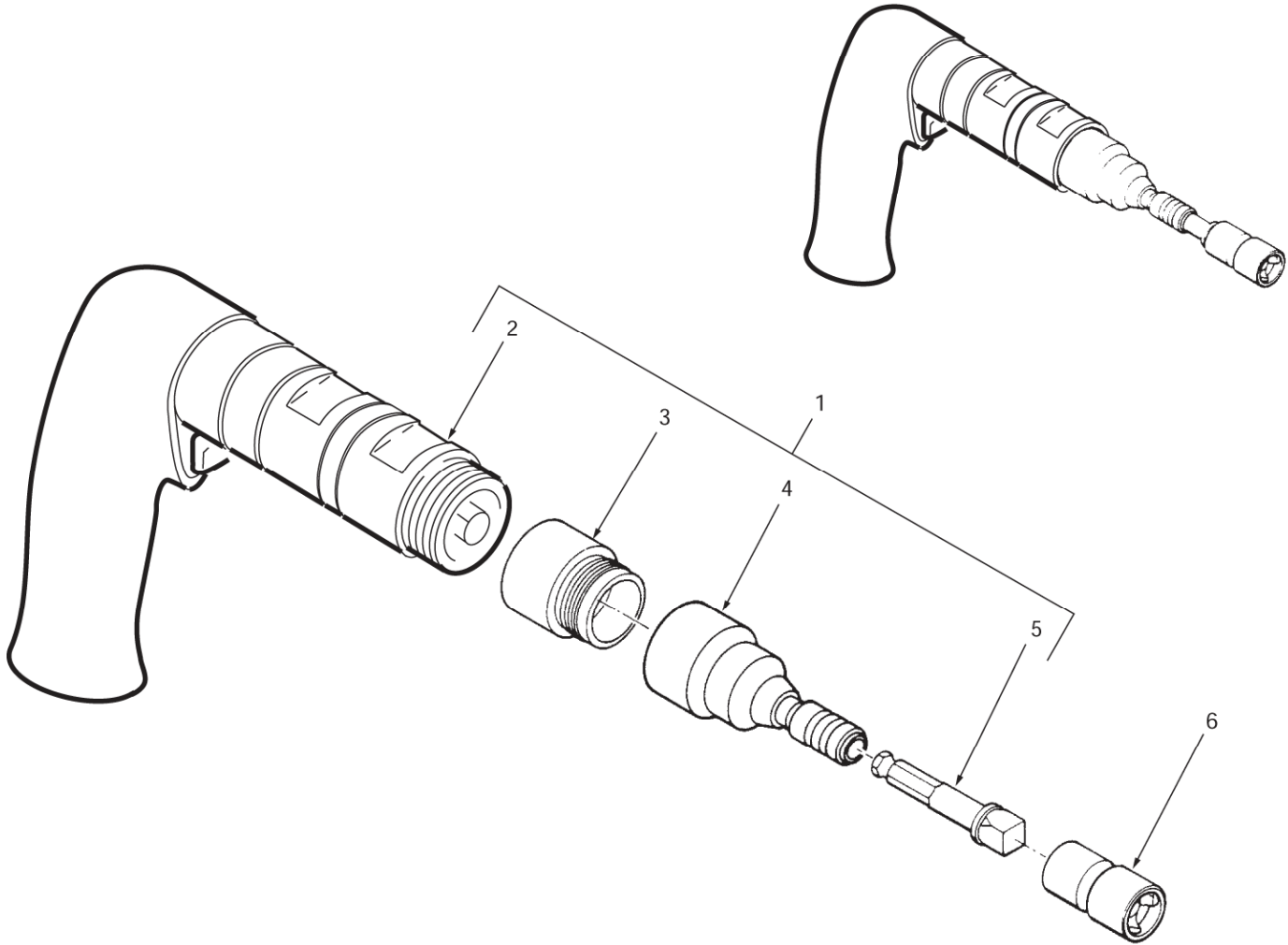


# HLA6005

## Interference Fit Collar Removal Tool Cutter Nose Piece



ITEM	PART NO.	DESCRIPTION	QTY. HLA6005-5	QTY. HLA6005-6	QTY. HLA6005-8
1	HLB832	. Air motor assembly	1	1	1
2	HLB1174-005	. . Air motor	1	1	1
3	HLB1451	. . Adaptor	1	1	1
4	7 PI	. . Clutch	1	1	1
5	(SQ2012-5)	. . Drive extension	1	1	1
6	HLC1-5	. Removal tool assembly	1	-	-
6	HLC1-6	. Removal tool assembly	-	1	-
6	HLC1-8	. Removal tool assembly	-	-	1

**HLA6005  
INTERFERENCE FIT COLLAR REMOVAL TOOL CUTTER NOSE PIECE**